

VALVE REGULATED LEAD ACID BATTERY- MEDIUM AND LARGE CAPACITY SERIES

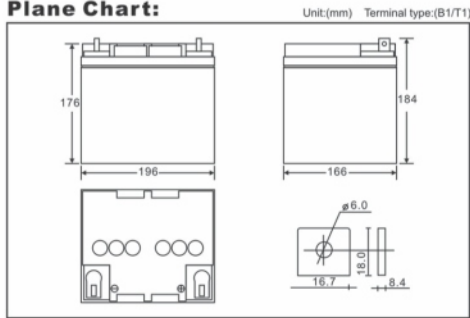


MODEL: TP42-12

Product Code: VRLA-1242001



Plane Chart:



Characteristic:

1. 100% testing before out of factory, stable and reliable quality is guaranteed.
2. Professional alloy formula and advanced manufacturing techniques.
3. Completely sealed and maintenance free, low self-discharge.
4. Good charge-discharge acceptability.
5. Cyclic application: deep cycle charge-discharge for more than 260 times.
6. Floating application: for 3-5 years.

Application:

- Anti-theft system
- Radio transceiver
- Power system
- Railroad engine and railway communication
- Emergency lighting and lamps
- Electric tools
- Electronic instruments and other backup power
- Medical facilities
- UPS for banking system
- Computer backup power
- Marine system
- UPS for fire fighting system
- Toys

Parts:

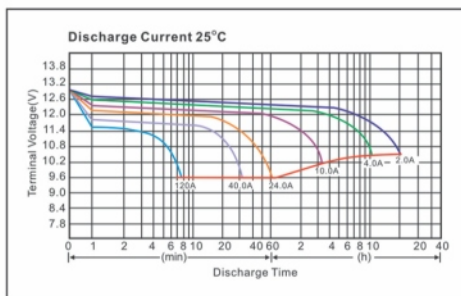
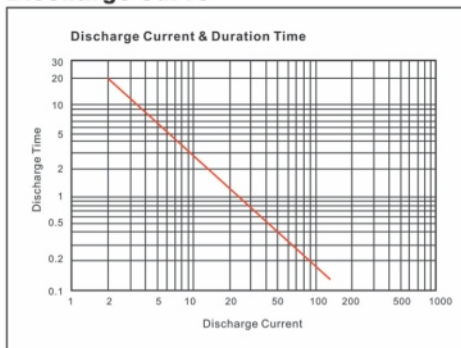
Executed Standard: GB/T 19639.1-2005

Cover	Container Bottom	Terminal	Positive Plate	Negative Plate	Separator	Electrolyte	Safety Valve	Seal Glue
ABS	ABS	Copper	PbO ₂	Pb	AGM	dilute sulphuric acid	Rubber	Epoxy Resin

Packing

Date	Battery Packing	Inner Packing	Outer Packing
① Printing	① Polybag	Paper Box	Carton Packing
② Branded	② Shrink		
Carton Sealing		Accessories	
① Packing Strap		Bolts&nuts	Mini Charger
② Shrink		With	Optional

Discharge Curve



Parameter Chart:

Volts		12V	
Capacity(25°C)		20 hours rate (2.0A)	40.0Ah
Discharge Current Testing (25°C)		20 I ₁₀ rate (40A, 27min)	32min
		60 I ₁₀ rate (120A, 7min)	7.5min
Internal Resistance		Full Charged Battery 25°C	8mΩ
Capacity Affected By Temperature (20 hours rate)		40°C	102%
		25°C	100%
		0°C	85%
		-15°C	62%
Residual Capacity (25°C)		Capacity After 3 Months Storage	91%
		Capacity After 6 Months Storage	82%
		Capacity After 12 Months Storage	64%
Cycle (Above 300 Time)		Discharge 2hrs at 10.0A Current Charge 6hrs at 4.0A Current (25°C)	
Charge (Constant Voltage)	Cycle (25°C)	Initial Charging Current Less than 12.0A Voltage 14.5-14.9V	
	Float (25°C)	Charge Voltage 13.6-13.8V	
Weight (Approx)		12.6Kg	

*The above are average and date obtained from the first 3 charge/discharge cycles. These are not minimum values.

Constant Current Discharge (Amperes) at 25°C (77°F)												
F.V/Time	5min	10min	15min	30min	1Hr	2Hr	3Hr	4Hr	5Hr	6Hr	10Hr	20Hr
1.80V/cell	110.40	82.80	60.00	40.40	23.60	13.20	10.000	8.000	7.040	5.760	3.760	1.960
1.75V/cell	114.40	84.40	61.20	41.20	23.92	13.60	10.400	8.400	7.200	5.840	3.840	2.000
1.70V/cell	124.80	89.60	64.80	42.80	24.40	14.00	10.680	8.520	7.320	5.960	3.912	2.032
1.65V/cell	137.20	97.20	70.40	45.20	24.40	14.08	10.800	8.624	7.400	6.000	3.960	2.040
1.60V/cell	148.80	102.00	74.00	47.20	24.80	14.40	10.880	8.680	7.480	6.120	4.000	2.080

Constant Power Discharge (Watts/cell) at 25°C (77°F)												
F.V/Time	5min	10min	15min	30min	1Hr	2Hr	3Hr	4Hr	5Hr	6Hr	10Hr	20Hr
1.80V/cell	1446.24	1064.64	853.20	507.36	291.14	157.71	116.568	96.343	80.400	67.543	44.904	23.520
1.75V/cell	1673.76	1153.20	892.56	526.80	299.83	160.80	118.920	98.057	81.600	68.571	45.600	24.000
1.70V/cell	1778.40	1194.96	919.92	538.80	305.26	163.54	120.000	99.771	82.056	69.943	45.840	24.120
1.65V/cell	1858.32	1223.52	941.04	546.24	308.90	165.26	120.864	100.800	82.344	70.629	45.936	24.168
1.60V/cell	1920.00	1248.00	960.00	552.00	312.00	166.97	121.536	101.829	82.560	71.314	45.936	24.168